

Montaj Alanı Fotoğrafı: / Workshop Photo:



GC-6180 Tanıtım Videosu : / GC-6180 Promotional Video :

E-MAILİN EKİNDE GÖNDERİLDİ, GÖNDERİLMEDİ İSE LÜTFEN İSTEYİNİZ.

IT WAS SENT AS AN ATTACHMENT TO THE E-MAIL, IF IT HAS NOT BEEN SENT, PLEASE REQUEST IT.





GC-6180

曲面印杯机
Plastic Cup Curved Offset
Printing Machine



GCHP-6180

自动曲面印杯机 (联线包装机)

AUTOMATIC PLASTIC CUP CURVED OFFSET PRINTING MACHINE (With In-line Packing)

GCHP-6180 型全自动高速印杯机采用国际先进技术，高精的制造工艺，合理的结构，高品质的配件，确保机器耐用、实用、印刷品品质高，生产效率高，自动包装，操作方便等特点。本机为凸版印刷，主要实用杯，碗的表面印刷。

GCHP-6180 Full-automatic high speed printing machine adopts international advanced technology, high-precision manufacturing processes, reasonable structure, high quality accessories, ensure machine durable, practical, high quality printing, high production efficiency, automatic packing and easy operation. That machine is letterpress printing, mainly use for printing plastic cups and bowls.

- Automatic ladder feeder, very easy to operate.
- Cup driver can be adjusted easily and operated fluently.
- Printing cylinder separates automatic when there is no cup or double cups.
- The roll gearbox can be automatic adjust the distance, ensure it is no shadow of cup surface.
- The printing plate has specialized punch, which can be aligned accurately, quickly and operated easily.
- Replacement of mould core or diehead is convenient and fast.
- Inspect function for problem cup by corona.
- Printed articles sampling inspection function when working.
- Automatic counting is more accurate, and it is very easy to collect cup.
- Automatic packing function in line.
- Can be drive rubber model of transfer printing automatic.

型号	Model	GCHP-6180	GC-6180
最大印刷高度	Max Printing Depth	160mm	160mm
杯身斜度	Max cup body slope	0-12degree	0-12degree
印刷速度	Printing Speed	200-350 pcs/min	200-350 pcs/min
杯缘口径	Cup Rim Dia.	Dia.50--180 mm	Dia.50--180 mm
杯身高度	Cup body depth	30-180mm	30-180mm
色数	Color	4-6	4-6
主电机功率	Main motor power	8Kw	8Kw
固化功率	UV Curling power	6Kw	6Kw
总功率	Total power	22Kw(with packer)	19Kw
整机重量	Weight	About 6 T	About 5.5 T
外形尺寸(长×宽×高)	Dimension (L×W×H)	6500×2500×2660mm	6500×2500×2660mm

Altı renkli baskı makinesi için detaylar / *Details for Six color printing machine:*



Fotoğraf, referansınız içindir. / *The photo is for your reference.*

Uygulama alanı: / *Application area:*

Ekipman yaygın olarak yoğurt kabı, dondurma kabı, fast-food kasesi, Coca Cola bardağı ve diğer silindirik form veya dairesel koni plastik ürünleri vb. basmak için kullanılır. Otomatik besleme kapları, baskı, kalite kontrol, sayma işlevi vb. ile donatılmıştır.

The equipment is widely used for printing yoghurt cup, ice cream cup, fast-food bowl, Coca Cola cup and other cylindrical form or circular cone plastic products etc. It with automatic feeding cups, printing, quality inspection, counting function etc.

Ana Fonksiyon: / *Main Function:*

- Otomatik, Eğimli tip bardak besleyici, kullanımı çok rahattır ve çeşitli bardak türlerine uygundur. / *Automatic Incline type cup feeder, very convenient to operate and suit for various kinds of cups.*
- Yazıcıyı akıcı bir şekilde besleyen, bardak besleme tahrikinin, kolayca ayarlanabilir ayırıcısı. / *Easy adjustable separator of cup feeding drive to the printer, which operate fluently.*

- Rulo dişli kutusu, kap yüzeyinde gölge oluşmamasını sağlamak için mesafeyi otomatik olarak ayarlayabilir. / *The roll gearbox can be automatic adjust the distance, ensure it is no shadow of cup surface.*
- Baskı plakası, hassas, hızlı ve kolay bir şekilde hizalanabilen özel bir delgeç ile donatılmıştır. / *The printing plate has specialized punch, which can be aligned accurately, quickly and operated easily.*
- Kalıp çekirdeği veya kap kalıbının değiştirilmesi rahat ve hızlıdır. / *Replacement of mould core or cup mould is convenient and fast.*
- Korona ile sorunlu bardak fonksiyonunu kontrol eder. / *Inspect function for problem cup by corona.*
- Basılı makaleler çalışırken örnekleme inceleme işlevi. / *Printed articles sampling inspection function when working*
- Servo motorla otomatik sayım daha doğrudur, bardağı toplamak daha kolaydır. / *Automatic counting by servo motor is more accurate, more easy to collect cup*
- Transfer baskı otomatığının kauçuk modeli sürülebilir. / *Can be drive rubber model of transfer printing automatic.*
- Baskı sistemini kontrol etmek için iki motor ve iki invertör. / *Two motors two inverters to control printing system.*

Ana Teknik Parametre: / Main Technical Parameter:

Model	GC- 6-180
Maksimum Baskı Derinliği / <i>Max Printing Depth</i>	158 mm
Bardak derinliği / <i>Cup depth</i>	50-180 mm

Maksimum fincan gövde eğimi / <i>Max cup body slope</i>	5-12 Derece / <i>5-12 degree</i>
Maksimum Baskı Hızı / <i>Max. Printing Speed</i>	200-300 su bardağı/dk (bardak ölçünüze, malzemenize göre) / <i>200-300 cups/min (shall be according to your cup size, material)</i>
Kap malzemesi / <i>Cup material</i>	PP/ PS/ PET/ PLA/ HDPE
Kap Kenarı Çapı / <i>Cup Rim Dia.</i>	Çap 40--180 mm / <i>Dia.40--180 mm</i>
Ana motor toplam gücü (iki motor) / <i>Main motor total power (two motor)</i>	8 kw
UV Kürleme gücü / <i>UV Curing power</i>	6 kw
Toplam Güç / <i>Total power</i>	24 kw
Ağırlık / <i>Weight</i>	5.1 Ton civarı / <i>About 5.1T</i>
Boyutlar / <i>Dimension (L*W*H)</i>	6200*2500*2660mm

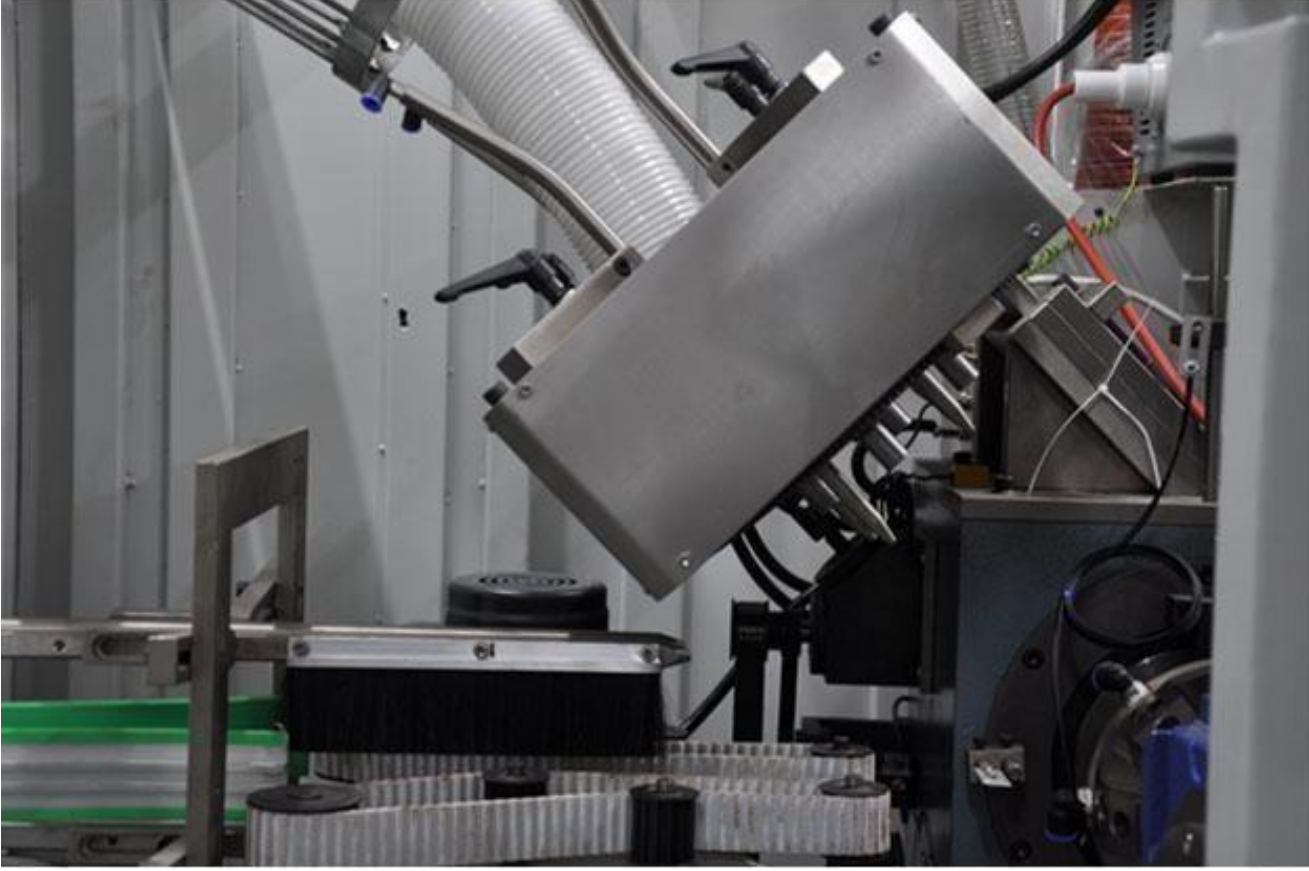
ÖRNEK FOTOĞRAFLAR: / SAMPLE PHOTOS:





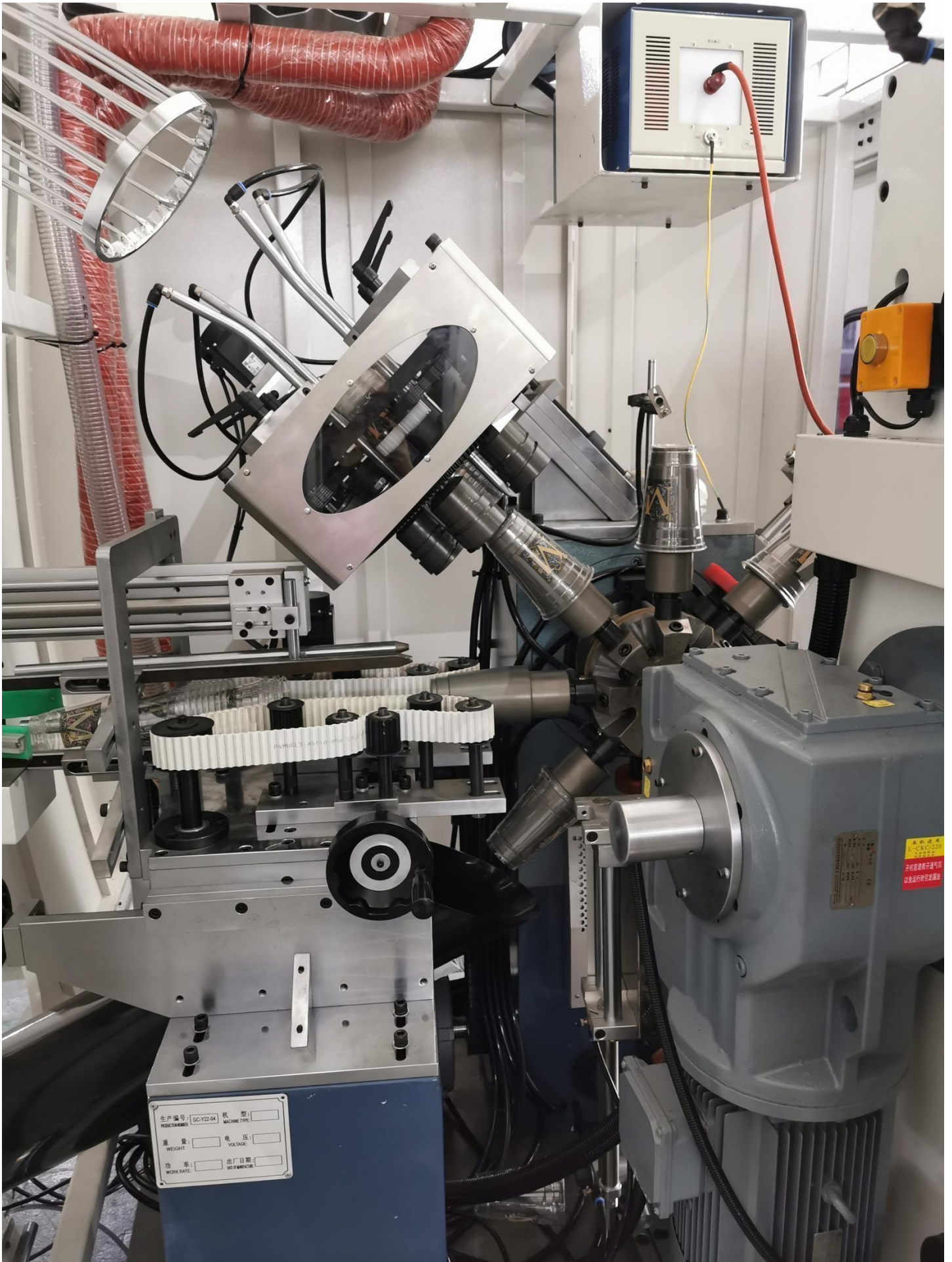


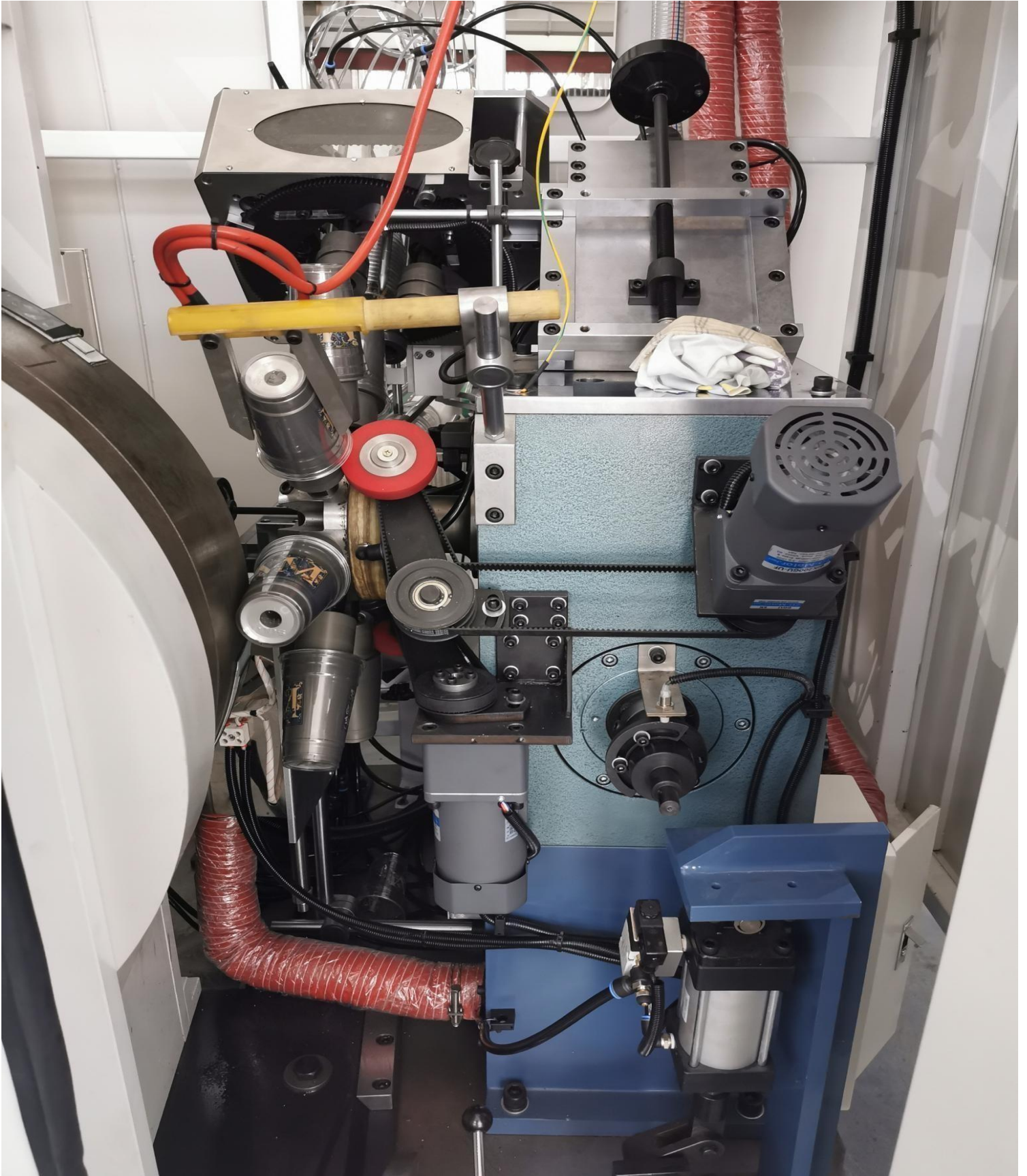
MAKİNA DETAYI:/ MACHINE DETAILS:



MAKİNA PROSES VİDEO:/ MACHINE PROCESS VIDEO:

- E-MAİLİN EKİNDE GÖNDERİLDİ, GÖNDERİLMEDİ İSE LÜTFEN İSTEYİNİZ.
IT WAS SENT AS AN ATTACHMENT TO THE E-MAIL, IF IT HAS NOT BEEN SENT, PLEASE REQUEST IT







GCM-6008

高速塑料杯胶印机 High Speed Dry Offset Printing Machine For Plastic Cups

广川GCM-6008型设备实现象模块一样，分为印刷单元，送杯出杯等。这一理念设计能够为客户提供按照自身需求去选购重组设备。

机器经组合选购配置后，可以在短时间内扩展可选项的品种，可以加强印刷效果和减少废品以及清洗液的用量。而且还能以旧换新和升级从旧的配置到新的模块。其最终结果是能组合出一台灵活，拥有稳定型性和高性能的印刷设备。

Guangchuan has split up the printing machine in modules like; printing unit, in-feed, take-off etc (modular building concept). The advantage of this concept is that the customer can compose the machine according to his requirements.

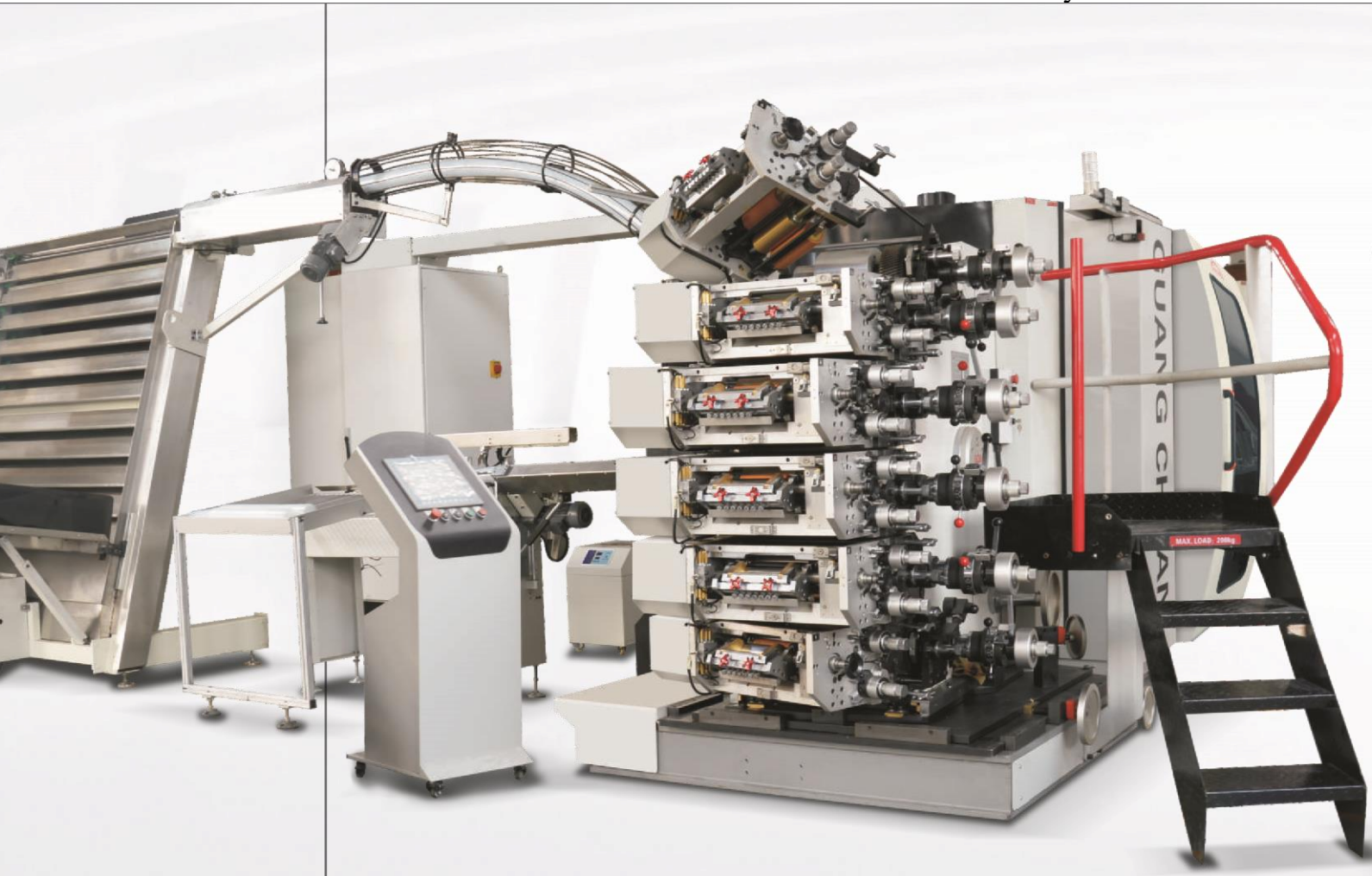


设备特点和优势

- 最多可达8色
- 产品宽度范围(直径50-230mm)
- 印刷速度最高可达每分钟500只杯
- 高品质印刷
- 模块化建造理念
- 可靠和已被证实的技术
- 友好的操作界面
- 所有的色站保持一致
- 色站恒温系统
- 锐利的印刷效果，每个色站使用两组印刷胶辊
- 挂版式印版滚筒
- 所有压力及校准调节都能在设备运行时进行
- 方便的产品操作和印刷区域
- 模块建造理念和广泛的可选项，满足现在和未来的需求
- 通过调制解调器进行远程诊断
- 西门子操作面板
- 皮带式送杯带有压力控制
- 电晕预处理
- 快速更换印芯盘的装配方式
- 印芯旋转控制
- 无杯不印刷系统
- 双杯检测
- 针孔检测和退杯
- “在印芯上固化” 随时待命模式的UV灯系统
- 伺服式出杯
- 光纤式精确计数叠杯带有包装桌

MACHINE FEATURES AND BENEFITS

- Can custom to 8 color
- Width range of products (diameter 50 - 230 mm)
- Production speed up to 500 cups per minute
- High printing quality
- Modular building concept
- Reliable and proven technology
- Operator friendly
- All color heads are identical
- Color heads with constant temperature system
- Sharp print results with two form rollers on each color head
- Pin bar plate cylinders
- All pressure and register adjustment can be made while printer is running
- Easy access to product handling areas and print area
- Modular building concept and wide range of options, for now and for the future
- Remote diagnostics with modem
- Siemens operator panel
- Belt feeder with pressure control
- Corona pre-treatment
- Quick change mandrel disc assembly
- Mandrel rotation control
- No cup no print system
- Double cup detection
- Pinhole detection and eject
- 'Curing on Mandrel' UV-lamp system with stand-by mode
- Servo type take off
- Fiber optic type counting restacker with packing table



BENEFITS

30 - 230 mm)
minute

ure system
llers on each color head

t can be made while

as and print area
range of options, for

y

n with stand-by mode

with packing table

After composing the machine configuration, it can be extended with a variety of options to shorten the change over time, to enhance printing quality and to reduce scrap and solvent usage. It's also possible to trade-in and upgrade the old configuration to new modules. The result is a flexible workhorse with a stable high performance level.



标准规格

最小/最大产品高度

- 30 - 200 mm

最小/最大杯口外缘直径

- 50 - 230 mm

最大印刷高度

- 150 mm

最大印刷长度

3块橡皮布掛版模式

- 540 mm

最大印刷长度

6块橡皮布掛版模式

- 368 mm

最小/最大锥度

- 0 - 12°

STANDARDSPECIFICATIONS

Min. / max. product height

- 30 - 200 mm

Min. / max. rim diameter

- 50 - 230 mm

Max. printing height

- 150 mm

Max. printing length

3 blanket mode pin bar

- 540 mm

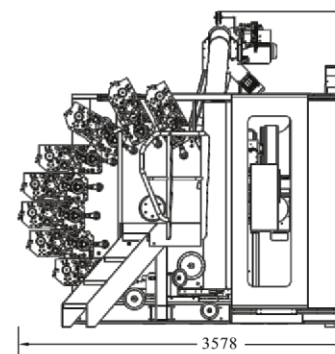
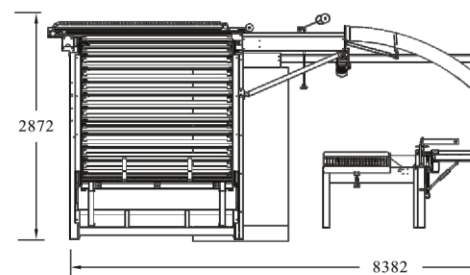
Max. printing length

6 blanket mode pin bar

- 368 mm

Min. / max. taper

- 0 - 12°



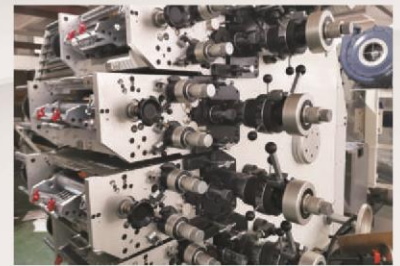
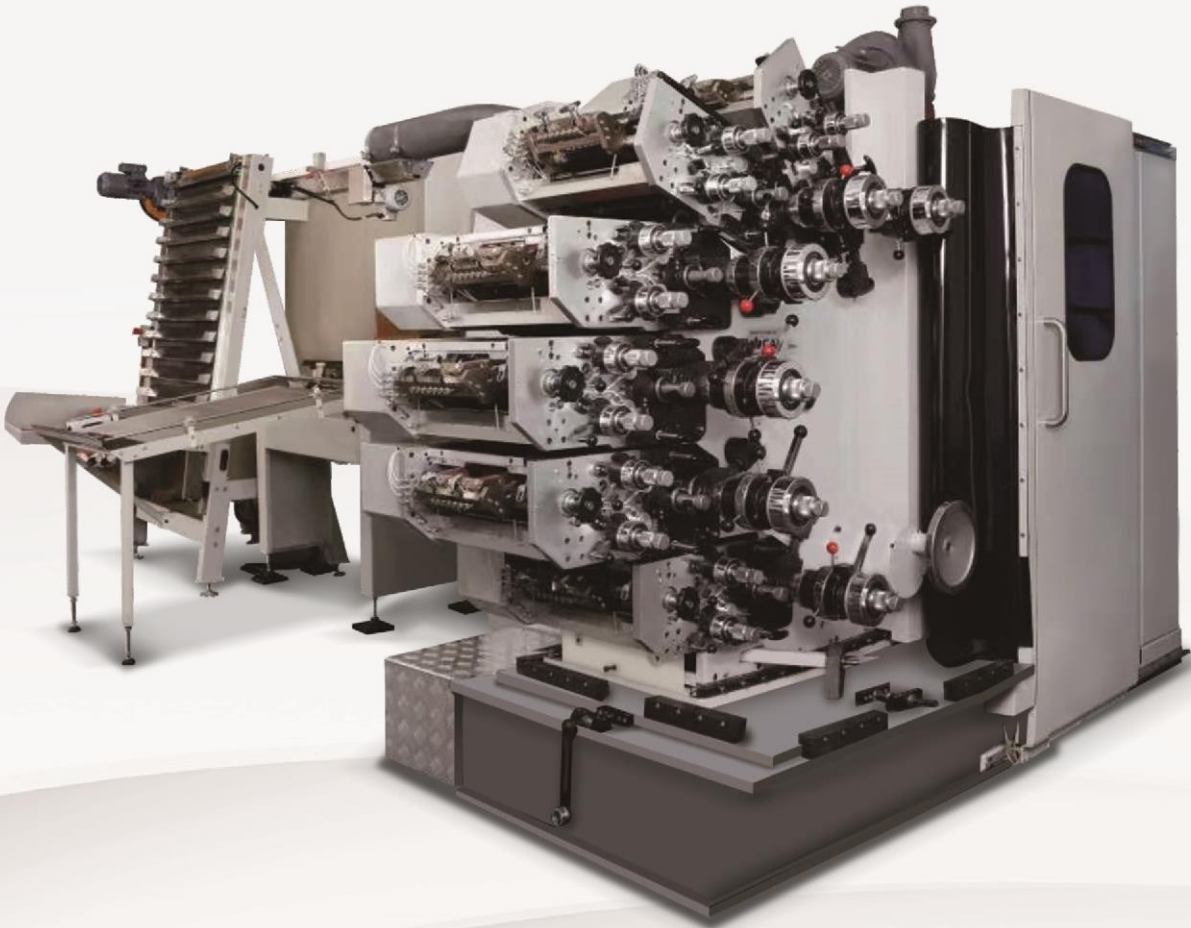
GCM-5006

高品质6色印刷机 HIGH QUALITY SIX COLOR CUP PRINTING MACHINE

广川GCM-5006款印刷机能适用于较大尺寸范围内的圆杯，为客户提供更多印刷可能性。其坚固色站结构为GCM-5006设备保证了耐用性，降低了维护保养成本以及出众的印刷品质。

The GCM-5006 has the capability to print on a very large range of cup sizes, allowing you to offer your customer more printing possibilities.

The machine and color heads are of heavy-duty construction providing you with a long lasting, low maintenance machine that produces superior print quality for years to come.



设备特点和优势

- 所有的色站都保持一致
- 色站恒温系统
- 锐利的印刷效果，每个色站使用两组印刷胶辊
- 掛版式印版滚筒
- 所有压力及校准调节都能在设备运行时进行
- 方便的产品操作和印刷区域
- 通过调制解调器进行远程诊断
- 西门子操作面板
- 在线或离线托盘式送杯
- 电晕预处理
- 快速更换印芯盘的装配方式
- 印芯旋转控制
- 无杯不印刷系统
- 双杯检测
- 针孔检测和退杯
- “在印芯上固化” 随时待命模式的UV灯系统
- 皮带式出杯
- 光纤式精确计数叠杯带有包装桌
- 预置油墨模式，对于重复生产的订单，在生产开始时即可得到正确的图案颜色
- 中央润滑系统
- 放大镜形式的印版打孔夹具/高精度摄像头形式的印版打孔夹具
- 退杯配置射出起始印刷产品或针孔检测到的废杯
- 无弯曲的叠杯分离器
- 进料杆单点调节

MACHINE FEATURES AND BENEFITS

- All color heads are identical
- Color heads with constant temperature system
- Sharp print results with two form rollers on each color head
- Pin bar plate cylinders
- All pressure and register adjustment can be made while printer is running
- Easy access to product handling areas and print area
- Remote diagnostics with modem
- Siemens operator panel
- Inline or offline tray feeder
- Corona pre-treatment
- Quick change mandrel disc assembly
- Mandrel rotation control
- No cup no print system
- Double cup detection
- Pinhole detection and eject
- 'Curing on Mandrel' UV-lamp system with stand-by mode
- Belt take off
- Fiber optic type counting restacker with packing table
- Pre-inking mode for repeat orders to get the correct image colors from the start of production
- Central lubrication system
- Loupe type punch jig for printing plates / high accuracy camera punch jig for printing plates
- Reject station to eject products at machine start-up or in case of pinhole detection
- Separator for non-bending stacks
- Hopper rods with single point adjustment

标准规格

最小/最大产品高度

- 30 - 180 mm

最小/最大杯口外缘直径

- 50 - 205 mm

最大印刷高度

- 150 mm

最大印刷长度

2块橡皮布掛版模式

- 540 mm

最小/最大锥度

- 0 - 12°

印刷速度

- 400-500 杯/分钟

STANDARD SPECIFICATIONS

Min. / max. product height

- 30 - 180 mm

Min. / max. rim diameter

- 50 - 205 mm

Max. printing height

- 150 mm

Max. printing length

2 blanket mode pin bar

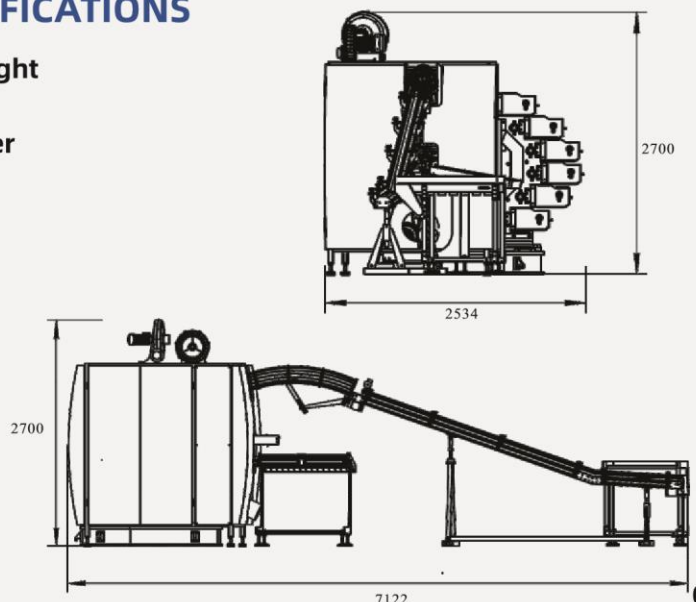
- 540 mm

Min. / max. taper

- 0 - 12°

printing Speed

- 400-500 cups/min



GCHP-8180

全自动8色印杯机

Full-automatic Eight Color Cup printing Machine

GCHP-8180 型全自动8色印杯机采用国际先进技术，高精的制造工艺，合理的结构，高品质的配件，确保机器耐用、实用、印刷品品质高，生产效率高，自动包装，操作方便等特点。本机为凸版印刷，主要实用杯，碗的表面印刷。

GCHP-8180 Full-automatic Eight Color Cup printing Machine adopts international advanced technology, high-precision manufacturing processes, reasonable structure, high quality accessories, ensure machine durable, practical, high quality printing, high production efficiency, automatic packing and easy operation. That machine is letterpress printing, mainly use for printing plastic cups and bowls.

主要特点 Main character

- 所有压力及校准调节都能在设备运行时进行。
- 方便的印刷及操作调节空间。
- 独立马达驱动的螺旋送杯机构确保了产品输送更精准。
- 移动式操作屏使操作更便捷。
- 皮带式送杯配有压力调节机构。
- 印刷版上有专门打孔机，对版准确，快捷，操作方便。
- 更换模芯，杯膜方便，快速。
- 电晕检查破杯功能。
- 工作中印杯抽样检查功能。
- 自动计数准确，收杯操作方便。
- 可自动包装。
- 可自动驱动转印胶皮模式。
- All pressure and calibration adjustments can be made while the equipment is running.
- Convenient printing and operation adjustment space.
- The independent motor-driven screw-feed mechanism ensures a more precise product delivery.
- Movable-type circular operation screen makes operation easier.
- The belt type cup is equipped with a pressure adjustment mechanism.
- The printing plate has specialized punch, which can be aligned accurately, quickly and operated easily.
- Replacement of mould core or diehead is convenient and fast.
- Inspect function for problem cup by corona.
- Printed articles sampling inspection function when working.
- Automatic counting is more accurate, and it is very easy to collect cup.
- Automatic packing function in line.
- Can be drive rubber model of transfer printing automatic.

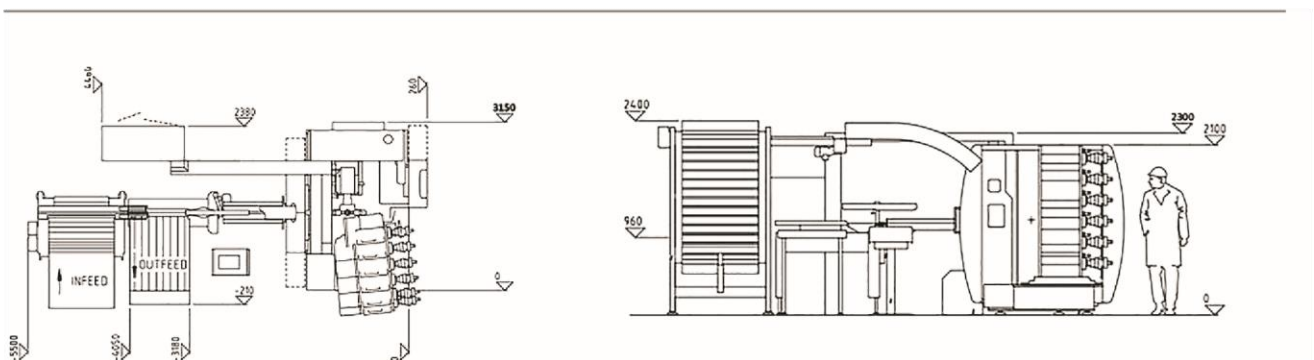




技术参数 Technical parameter

印刷产品类型	Printed product type	圓形的杯 (Round cups & bowls)
印刷杯适用材质	Suitable material for printing cup	PP、PET、PS、EPS、环保塑料、纸杯外付塑料膜
印刷速度	Printing speed	220-400 只杯/分钟
印刷杯高度	Printing cup height	30-180 mm
印刷杯口直径	Printing cup diameter	50-180 mm
印刷角度	Printing angle	0-12°
最大印刷高度	Maximum printing height	160mm
油墨组数	Number of ink sets	8
设备净重	Net weight of equipment	8500kg
外形尺寸(长×宽×高)	Dimension (L×W×H)	7000×3550×2400mm

8180布局图 8180 layout

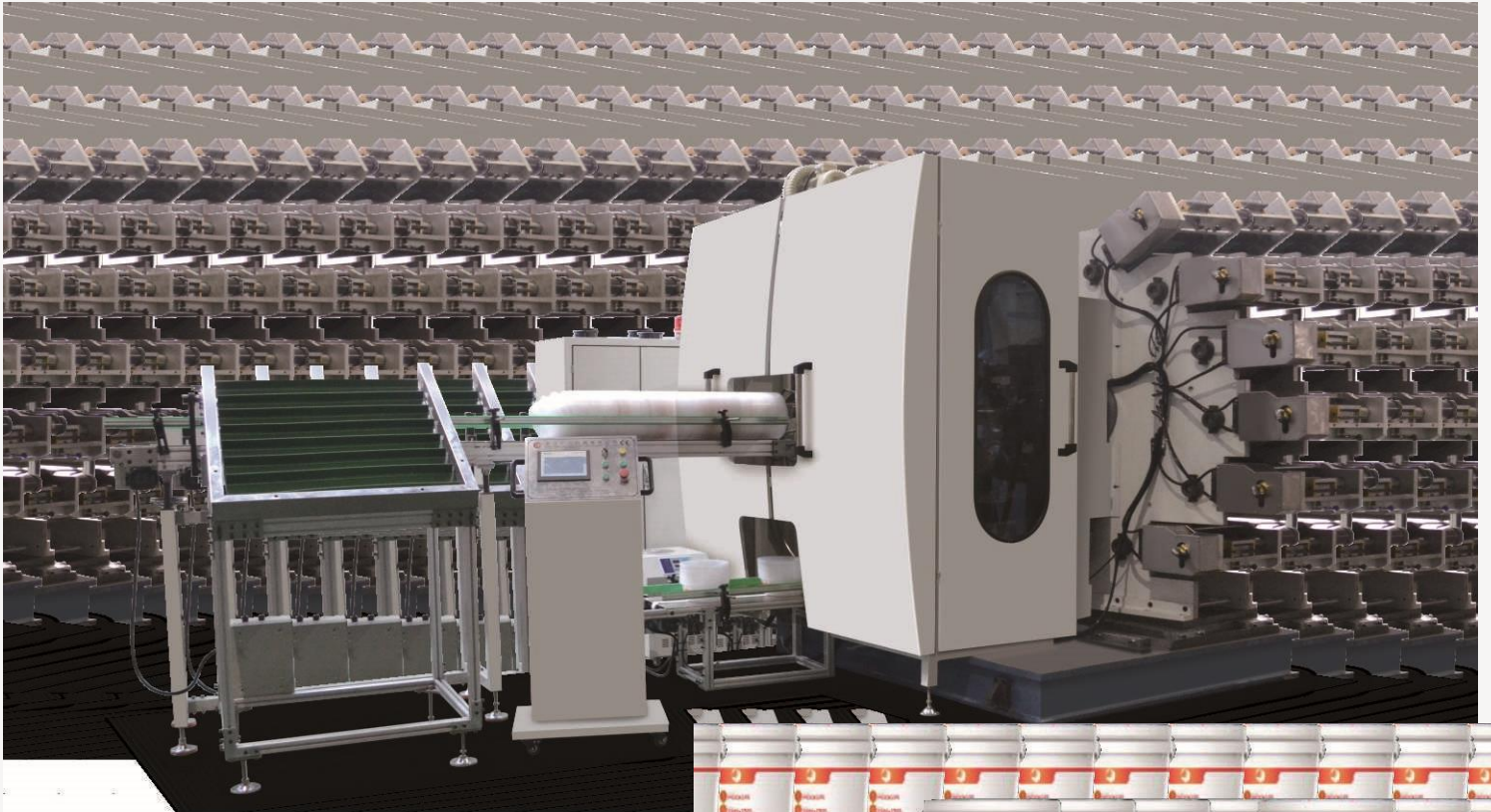


GCP-6



SIX COLOR Curved Surface Pail Printing Machine

- 具有自动进料、印前处理、六色套印、UV干燥、成品输出等装置
- 整机操作方便，换版快速，印件图案清晰，质地平整
- With automatic feeding, prepress processing, six-color overprinting, UV drying, finished product output and other devices
- The whole machine is easy to operate, the plate changing is fast, the printed pattern is clear, and the texture is smooth.



技术参数 Technical parameter

型号	Model	GCP-6
3张胶皮模式	3 pcs rubber mode	160-220mm
1张胶皮模式	1 pcs rubber mode	310mm
最大印刷速度	Max. printing speed	18p/m
最大印刷高度	Max. printing height	280mm
色组	Color	6
最大印刷斜角	Max. printing bevel	12
最大桶缘直径	Max. pail rim diameter	368mm
总功率	Total power	16.5kw
外形尺寸(长×宽×高)	Dimension (LxWxH)	5700×4500×2650 mm

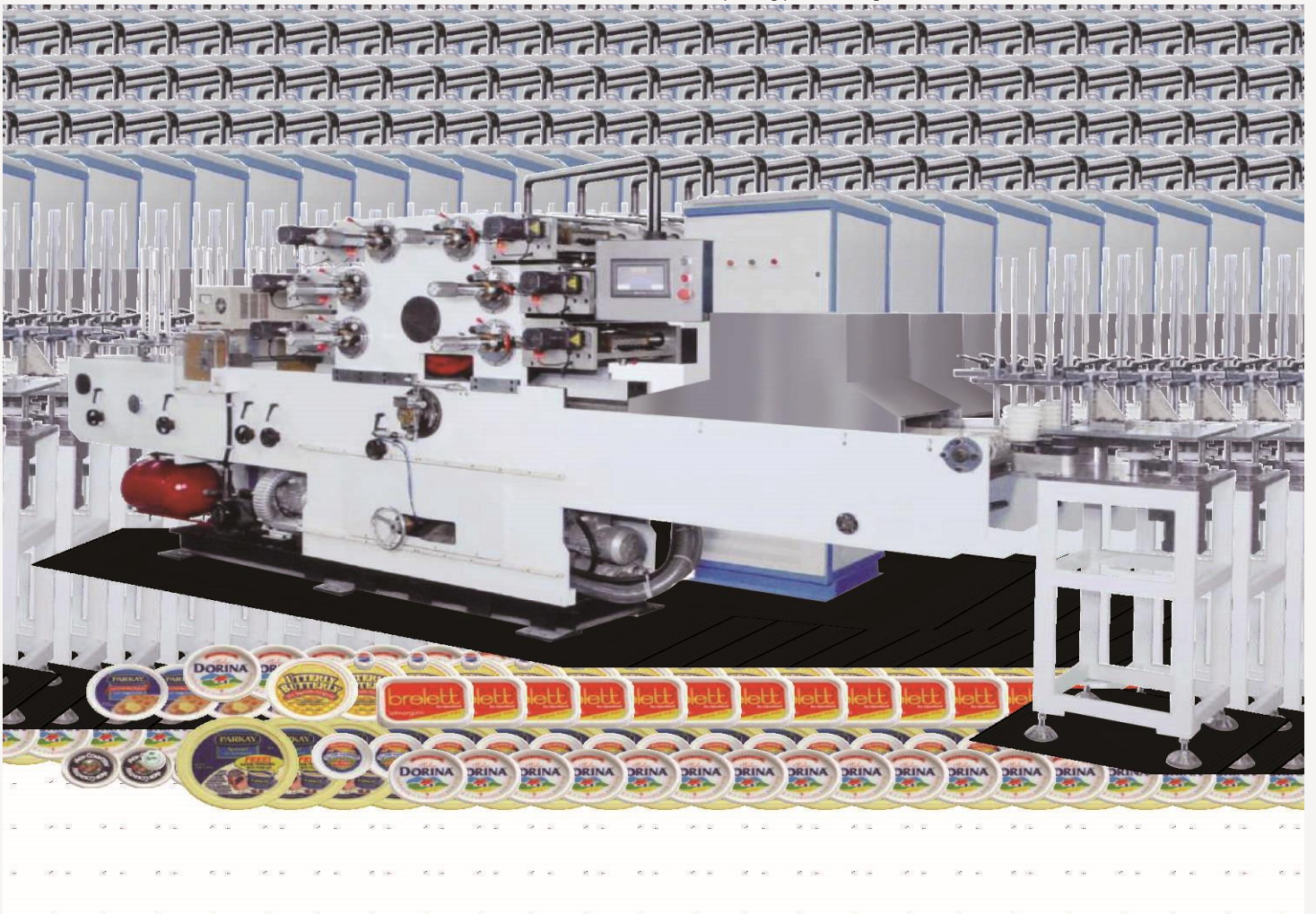
GCL-6



Full-automatic Six Color Lid Printing Machine

- 该机采用先进德国印刷技术，集机电气一体
- 微电脑PLC控制。结构紧凑，人机界面操作，使用简单
- 该机适用于印刷圆形，矩形，椭圆形等形状的盖(凹，凸，平面)上彩色图案以及文字
- 具有自动下料，经过电晕处理后进入印刷，UV烘干自动堆叠等完成整个印刷工序

- That machine adopts advance german printing technology, combines machine , electricity and gas in one .
- Microcomputer PLC control , compact structure , human-machine interface , easy to operate .
- That machine is suit for printing colorful pictures , words and patterns on lids of circle , rectangular and elliptical shape .
- Machine with automatic material feeding , print through corona treatment , UV drying and automatic stacking to finish the whole printing procedure .



技术参数 Technical parameter

型号	Model	GCL-6
最大印刷高度	Max. printing height	45mm
最大印刷速度	Printing speed	7000-10000 PCS/HR 个/小时
印刷范围(长*宽)	Printing area (L*W) : 160*155mm	160*155mm
总功率	Total power	18kw
外形尺寸(长×宽×高)	Dimension (L×W×H)	5500×2850×2100 mm

GCF-750

全自动液压制杯机 Automatic Hydraulic Cup Making Machine



技术参数 Technical parameter

适应物料	Suitable material	PP,PET,HIPS,GPPS,PVC,PLA
成型面积 (mm)	Formed Area (mm)	750X420
成型深度 (mm)	Formed Depth (mm)	120
成型速度 (cycles/min)	Formed Speed (cycles/min)	20-30
最大片材宽度 (mm)	Max. Width (mm)	780
片材厚度 (mm)	Thickness (mm)	0.25-3.0
整机功率 (kw)	Machine Power (kw)	≤160
耗气量 (mpa)	Air Wastage (mpa)	0.6-0.8
耗水量 (m /h)	Water Wastage (m /h)	≤0.6
尺寸 (mm)	Dimension (mm)	L4000xW1500xH2600

GCE-850

单层PP/PS片材机 Single-layer PP/PS Sheet Extruder

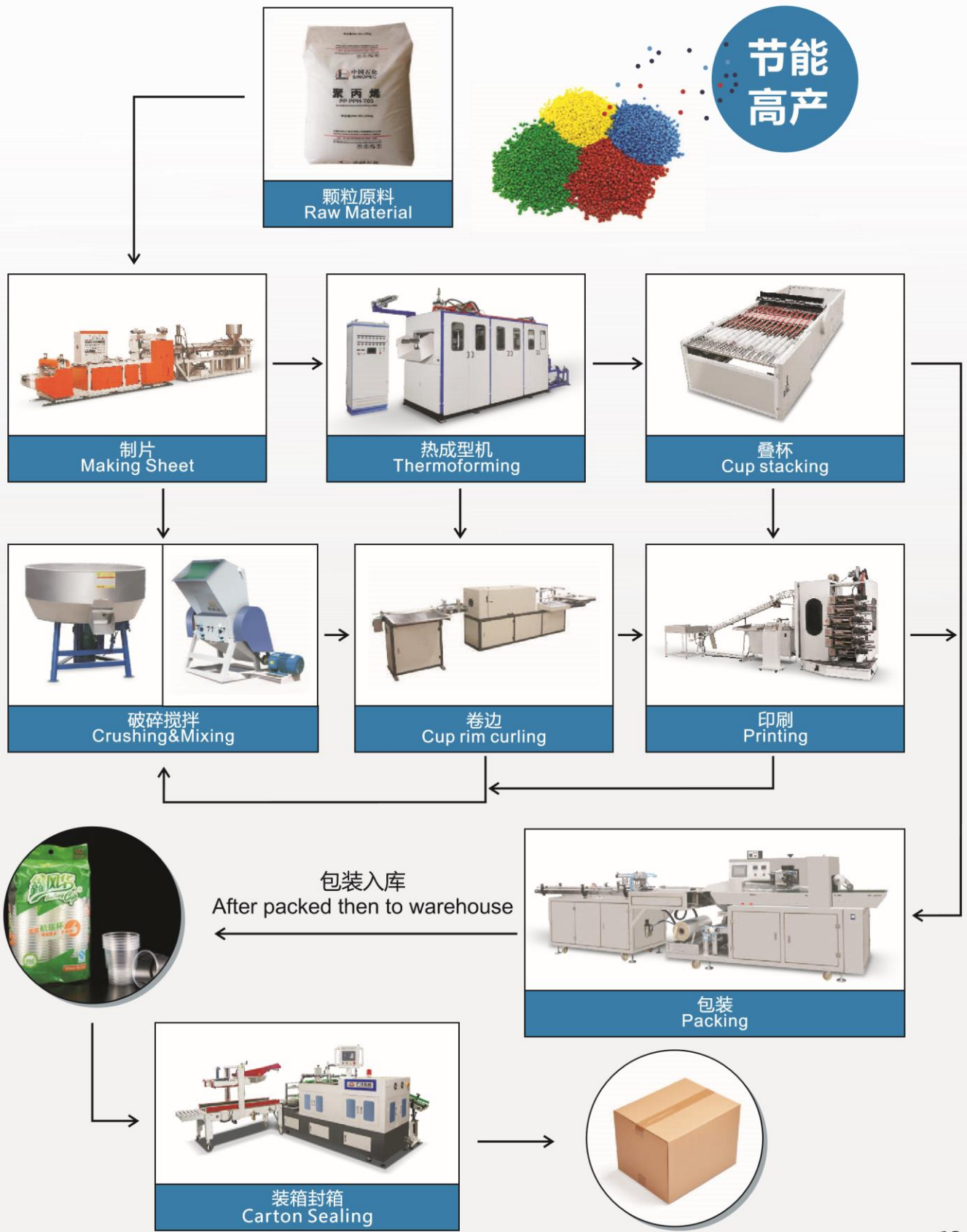


技术参数 Technical parameter

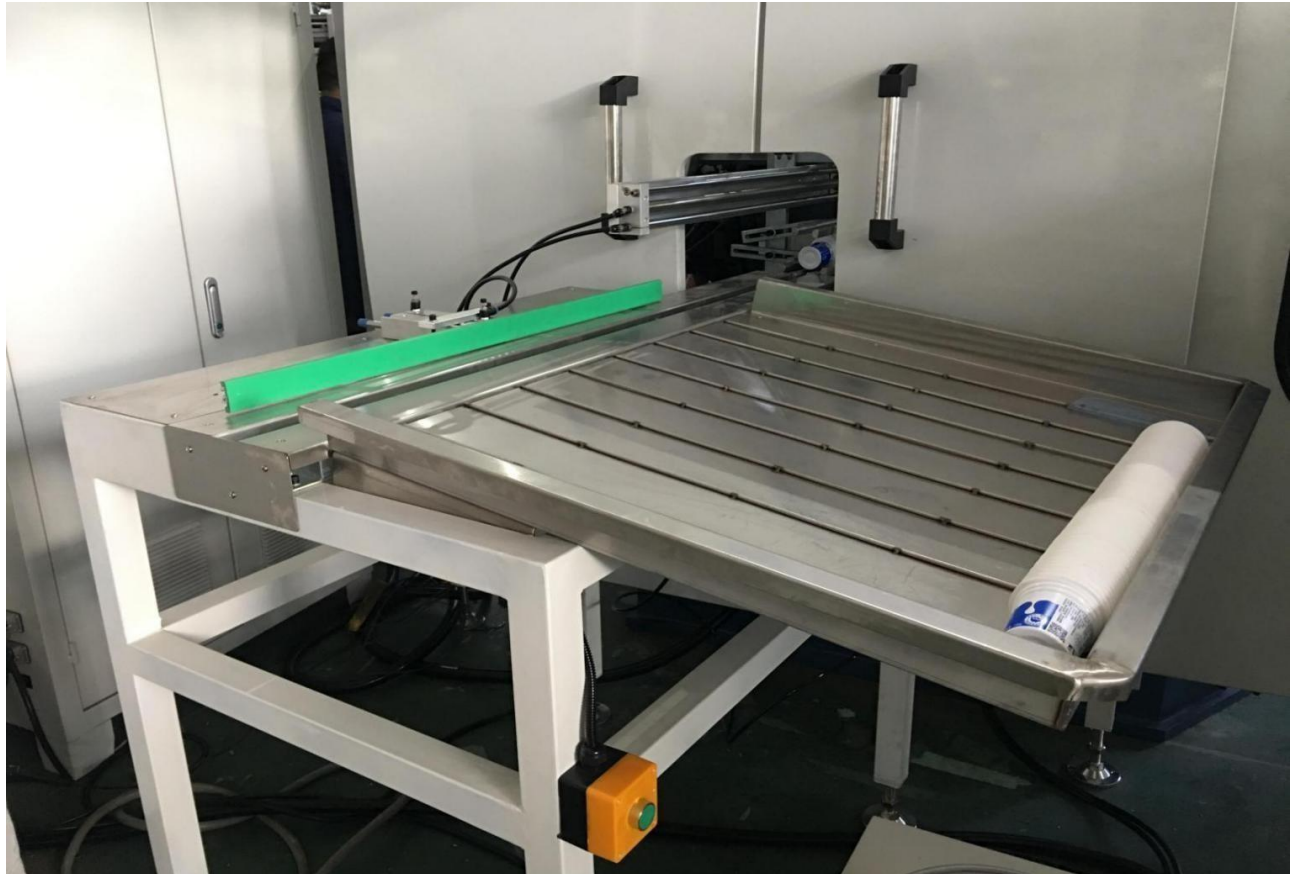
片材	Suitable Sheet	PP , HIPS
片材最大宽度	Max. Sheet Width	750mm
片材厚度范围	Sheet Thickness Range	0.3-2.0mm
螺杆直径	Screw Rod Dia (Main machine)	110mm
螺杆长径比	Screw L/D Ratio (Main machine)	33:1
最大产量	Max. Output	250kg/hr
主机功率	Main Motor Power	75kw
额定功率 / 电源	Rated Power / Power Supply	100kw / AC380v,50Hz Three-phase and Four-wire
尺寸	Dimension	L17000xW2000xH2500mm
重量	Weight	About 7T

生产线流程图

The flow chart of production line









FABRİKADAKİ MAKİNALAR / MACHINE ON FACTORY





PAKETLENE VE YÜKLEME / PACKING & SHIPPING





**Ana parçalar ve markaları / Main parts and brand:**

İsim / Name	Marka / Brand	Ülke / Brand's Country
Air Switch	Schneider	Fransa / France
Moulded Case Circuit breaker	Schneider	Fransa / France
Intermediate Relay	FoTek	Tayvan / Taiwan
AC Contactor	Schneider	Fransa / France
Thermal Overload relay	Schneider	Fransa / France
Button	Schneider	Fransa / France
Indicator Light	Siemens	Almanya / Germany
PLC	Siemens	Almanya / Germany

Control Module	Siemens	Almanya / <i>Germany</i>
Touch Screen	Siemens	Almanya / <i>Germany</i>
Inverter	Schneider	Fransa / <i>France</i>
Main Motor (First)	Innomotics	Almanya / <i>Germany</i>
Main Motor (Second)		Çin / <i>China</i>
Switching power supply	MW	Tayvan / <i>Taiwan</i>
Photoelectric switch	Omron	Japonya / <i>Japan</i>
Proximity Switch	Omron	Japonya / <i>Japan</i>
Solenoid Valve	Jinqi	Tayvan / <i>Taiwan</i>
Solenoid Valve	MAC	Amerika / <i>America</i>
Air Cylinder	AirTac	Tayvan / <i>Taiwan</i>
Synchronous Belt	Beide, Sanxing,Gates	Japonya / Almanya <i>Japan/ Germany</i>
Bearing	NTN, NSK, HAERBI	Japonya / Çin <i>Japan/ China</i>
Servo motor	Siemens	Almanya / <i>Germany</i>
Cam /Index		Çin / <i>China</i>
Blower	Zhongde	Çin / <i>China</i>
Vacuum		Çin / <i>China</i>
Color set motor	Zhongda	Çin / <i>China</i>

Ekstra kap baskı kalıbı / *Extra cup printing mold* 额外杯膜 (Optional) :



KOMPLE TAKIMLAR / COMPLATE SET



Yüksek kaliteli gravür baskı plakası (Karmaşık baskı logosu için uygundur)

High quality engrave printing plate (Suit for complicated printing logo)



^{Qk}
HASEL ENDÜSTRİ

Hüseyin Fatih OKTAY
Başkan



fatih.oktay@haselendustri.com.tr ✉
oktay.hseyinfatih@gmail.com ✉
0532 322 53 13 ☎
www.haselendustri.com.tr 🌐

^{Qk}
HASEL INDUSTRY

Hüseyin Fatih OKTAY
President



fatih.oktay@haselendustri.com.tr ✉
oktay.hseyinfatih@gmail.com ✉
+90 532 322 53 13 ☎
www.haselendustri.com.tr 🌐

^{Qk}
HASEL ENDÜSTRİ

İhsancan OKTAY
Genel Müdür



ihsancan.oktay@haselendustri.com.tr ✉
icanoktay@gmail.com ✉
0537 029 81 61 ☎
www.haselendustri.com.tr 🌐

^{Qk}
HASEL INDUSTRY

İhsancan OKTAY
General Manager



ihsancan.oktay@haselendustri.com.tr ✉
icanoktay@gmail.com ✉
+90 537 029 81 61 ☎
www.haselendustri.com.tr 🌐